



# ROUGH TERRAIN CRANE

## 130 TONS

LINK-BELT RTC-80130ii

**BOOM LENGTHS:**  
41 TO 162 FT

**JIB LENGTHS:**  
31 TO 109 FT

**JIB OFFSETS:**  
2 - 15 - 30 - 45



# NOTES:

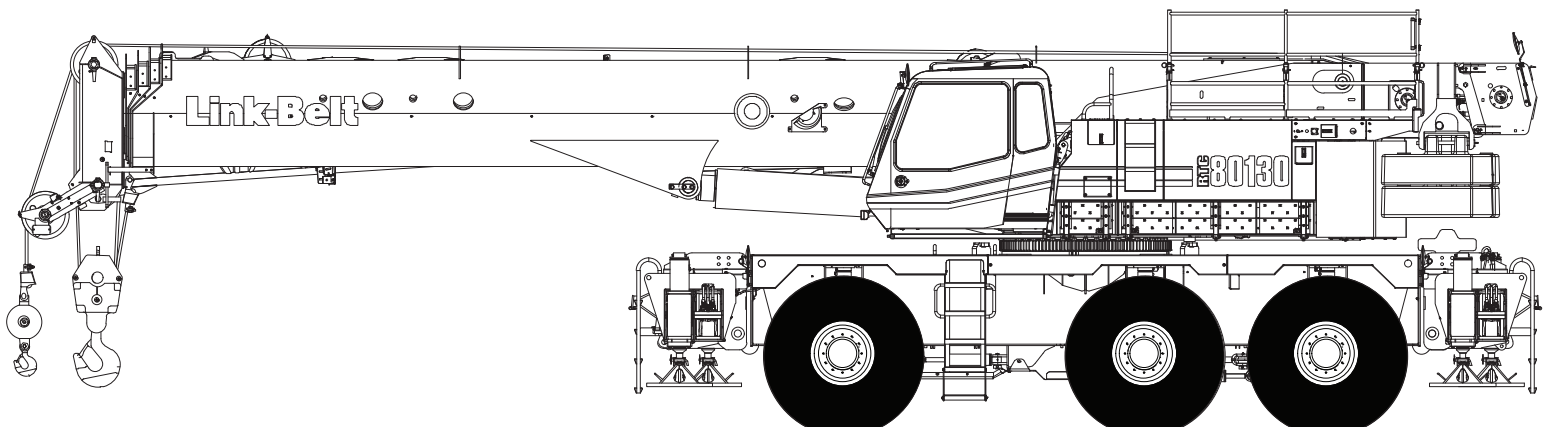
# Technical Data

## Specifications & Capacities

# RTC 80130

**Series II**

130 US ton  
120 metric ton



**CAUTION:** This material is supplied for reference use only. Operator must refer to in-cab Crane Rating Manual and Operator's Manual to determine allowable crane lifting capacities and assembly and operating procedures.



PORTLAND OFFICE: 503.283.3111  
SEATTLE OFFICE: 206.784.1054  
[WWW.NESSCAMPBELL.COM](http://WWW.NESSCAMPBELL.COM)

# Boom, Attachments, and Upper Structure

## ■ Boom

**Design** - Five section, formed construction of extra high tensile steel consisting of one base section and four telescoping sections. The two plate design of each section has multiple longitudinal bends for superior strength. Each telescoping section extends independently by means of one double-acting, single stage hydraulic cylinder with integral holding valves.

### Boom

- 41.4-162 ft ( 12.6-49.3m ) five section boom
- Five boom extend modes (EM1 through EM5), controlled from the operator's cab, provide superior capacities by varying the extension of the telescoping sections:
  - EM1 extends to 162.0 ft ( 49.3m )
  - EM2 extends to 150.0 ft ( 45.7m )
  - EM3 extends to 124.7 ft ( 38.0m )
  - EM4 extends to 112.0 ft ( 34.1m )
  - EM5 extends to 86.2 ft ( 26.3m )
- Mechanical boom angle indicator
- Maximum tip height for each extend mode is:
  - EM1 is 171 ft ( 52.1m )
  - EM2 is 159 ft ( 48.5m )
  - EM3 is 134 ft ( 40.8m )
  - EM4 is 122 ft ( 37.2m )
  - EM5 is 96 ft ( 29.3m )

### Boom Wear Pads

- Wear pads with Teflon inserts that self-lubricate the boom sections
- Bottom wear pads are universal for all telescoping boom sections
- Bottom wear pads are universal for the boom base section
- Top wear pads are universal for all boom sections

### Boom Head

- Six 16.38 in ( 41.6cm ) root diameter nylon sheaves to handle up to twelve parts of line
- Easily removable wire rope guards
- Rope dead end lugs on each side of the boom head
- Boom head is designed for quick-reeve of the hook block

### Boom Elevation

- One double acting hydraulic cylinder with integral holding valve
- Boom elevation:  $-2.5^{\circ}$  to  $80^{\circ}$

### Auxiliary Lifting Sheave - Optional

- Single 16.38 in ( 41.6cm ) root diameter nylon sheave
- Easily removable wire rope guards
- Does not affect erection of the fly or use of the main head sheaves

### Hook Blocks and Balls - Optional

- 140 ton ( 127.0mt ) 7 sheave, quick-reeve hook block with safety latch
- 100 ton ( 90.7mt ) 6 sheave, quick-reeve hook block with safety latch
- 80 ton ( 72.5mt ) 5 sheave, quick-reeve hook block with safety latch
- 50 ton ( 45.36mt ) 4 sheave, quick-reeve hook block with safety latch
- 35 ton ( 31.7mt ) 1 sheave, quick-reeve hook block with safety latch
- 12 ton ( 10.8mt ) hook ball (swivel) with safety latch

### Fly - Optional

- 31 ft-55 ft ( 9.4-16.8m ) two piece bi-fold lattice fly, stowable, offsettable to  $2^{\circ}$ ,  $15^{\circ}$ ,  $30^{\circ}$ , and  $45^{\circ}$ . Maximum tip height is 225 ft ( 68.6m ).
- 10 ft, 31 ft - 55 ft ( 3.0, 9.4-16.8m ) three piece bi-fold lattice fly, stowable, offsettable to  $2^{\circ}$ ,  $15^{\circ}$ ,  $30^{\circ}$ , and  $45^{\circ}$ . Maximum tip height is 225 ft ( 68.6m ).
- 10 ft, 31 ft - 55 ft ( 3.0, 9.4-16.8m ) three piece bi-fold lattice fly, stowable, hydraulically offsettable from  $2^{\circ}$  through  $45^{\circ}$ . Maximum tip height is 225 ft ( 68.6m ).

### Fly Extensions - Optional

- One 18 ft ( 5.5m ) lattice extension, equipped with two 16.38 in ( 41.6cm ) root diameter nylon sheaves, to be mounted between the boom head and fly options. Maximum tip height is 243 ft ( 74.1m ). Minimum of 26,000 lb ( 11 794kg ) of counterweight required.
- Two 18 ft ( 5.5m ) lattice extensions, one equipped with two 16.38 in ( 41.6cm ) root diameter nylon sheaves, to be mounted between the boom head and fly options. Maximum tip height is 260 ft ( 79.2m ). Minimum of 26,000 lb ( 11 794kg ) of counterweight required.
- Three 18 ft ( 5.5m ) lattice extensions, one equipped with two 16.38 in ( 41.6cm ) root diameter nylon sheaves, to be mounted between the boom head and fly options. Maximum tip height is 278 ft ( 84.7m ). Minimum of 29,000 lb ( 13 154kg ) of counterweight required.



PORTLAND OFFICE: 503.283.3111  
SEATTLE OFFICE: 206.784.1054  
[WWW.NESSCAMPBELL.COM](http://WWW.NESSCAMPBELL.COM)

# Load Hoist System

## Load Hoist Performance

Main (Front) and Auxiliary (Rear) Winches - 7/8 in ( 22mm ) Rope										
Layer	Maximum Line Pull		Normal Line Speed		High Line Speed		Layer		Total	
	lb	kN	ft/min	m/min	ft/min	m/min	ft	m	ft	m
1	21,022	93.51	141	43.0	279	85.0	125	38.1	125	38.1
2	18,968	84.37	156	47.5	310	94.5	138	42.0	263	80.2
3	17,280	76.86	172	52.4	340	103.6	152	46.3	415	126.5
4	15,868	70.58	187	57.0	370	112.8	165	50.3	588	179.2
5	14,669	65.25	202	61.6	400	121.9	179	54.6	759	231.3
6	13,639	60.67	217	66.1	431	131.4	192	58.5	951	289.9

Wire Rope Application		Diameter		Type	Maximum Permissible Load	
		in	mm		lb	kg
Main (Front) Winch	Standard	7/8	22	18x19 rotation resistant - right regular lay (Type RB)	17,520	7 946.9
	Optional	7/8	22	4 strand, low torque - right regular lay (Type GC)	30,285	13 737.0
	Optional	7/8	22	36x7 rotation resistant - right regular lay (Type ZB)	20,920	9 489.2
Auxiliary (Rear) Winch	Standard	7/8	22	18x19 rotation resistant - right regular lay (Type RB)	17,520	7 946.9
	Optional	7/8	22	4 strand, low torque - right regular lay (Type GC)	30,285	13 737.0
	Optional	7/8	22	36x7 rotation resistant - right regular lay (Type ZB)	20,920	9 489.2

### 2M Main (Front) and Optional Auxiliary (Rear) Winches

- Axial piston, full and half displacement (2-speed) motors driven through planetary reduction unit for positive control under all load conditions.
- Grooved lagging
- Power up/down mode of operation
- Hoist drum cable follower - optional
- Drum rotation indicator
- Drum diameter: 15 in ( 38.1cm )
- Rope length:
  - Main (Front): 850 ft ( 259.0m )
  - Auxiliary (Rear): 600 ft ( 182.8m ) or 850 ft ( 259.0m )
- Maximum rope storage: 951 ft ( 289.9m )
- Terminator style socket and wedge

### Engine

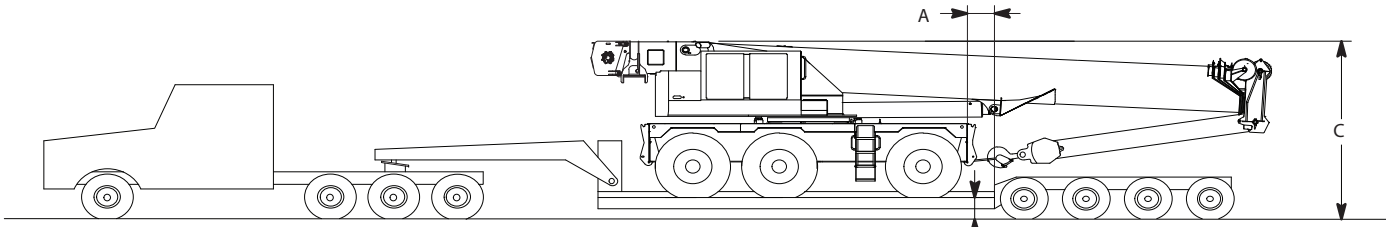
Specification	Cummins QSL	
Numbers of Cylinders	6	6
Cycle	4	4
Emissions Compliance Level:	Tier 4i/Stage IIIB <sup>(1)</sup>	Tier 3/Stage IIIA <sup>(2)</sup>
Bore and Stroke: inch ( mm )	4.49 x 5.69 ( 114 x 145 )	4.49 x 5.69 ( 114 x 145 )
Piston Displacement: in <sup>3</sup> ( L )	543 ( 8.90 )	543 ( 8.90 )
Max. Brake Horsepower: hp ( kW )	340 ( 254 ) @ 1,900 rpm	350 ( 261 ) @ 1,900 rpm
	320 ( 239 ) @ 2,100 rpm	325 ( 242 ) @ 2,100 rpm
Peak Torque: ft lb ( Nm )	1,050 ( 1 424 ) @ 1,500 rpm	1,050 ( 1 424 ) @ 1,500 rpm
Electric/starting systems: volts	12/12	12/12
Alternator: amps	160	160
Crankcase Capacity: qt ( L )	24 ( 22.7 )	24 ( 22.7 )

- Water/fuel separator w/ heater and water in fuel (WIF) sensor
- 120-volt block heater-Tier 4i/Stage IIIB
- 220-volt block heater-Tier 3/Stage IIIA
- Grid heater - 200 amp
- <sup>(1)</sup> Can only be sold and/or operated where Tier 4i and Stage IIIB off-highway emission standards are accepted.
- <sup>(2)</sup> Can only be sold and/or operated where Tier 3 and Stage IIIA off-highway emission standards are accepted.



PORTLAND OFFICE: 503.283.3111  
 SEATTLE OFFICE: 206.784.1054  
[WWW.NESSCAMPBELL.COM](http://WWW.NESSCAMPBELL.COM)

# Transport Configuration and Weights



- Crane Weight: 94,142 lb ( 42 702kg ), equipped with :
- 41.4-162 ft ( 12.6-49.3m ), five section boom
  - 80 ton ( 72.57mt) hook block
  - Main winch with 850 ft ( 259.1m ) of 7/8 in ( 22mm) rope
  - Auxiliary winch with 600 ft ( 182.8m ) of 7/8 in ( 22mm) rope
  - 10-31-55 ft ( 3.0-9.4-16.7m ) offsettable, three piece bi-fold fly
  - Hoist drum followers - Main and Auxiliary
  - Auxiliary lifting sheave
  - Air conditioning
  - Hydraulic outrigger pin removal

Drop Off Load Weight: 45,196 lb ( 20 501kg )

- Two outrigger boxes with tow shackles
- 27,000 lb (12 247 kg) counterweight
- 12 ton ( 10.9mt) hook ball

## Axle Group Weights

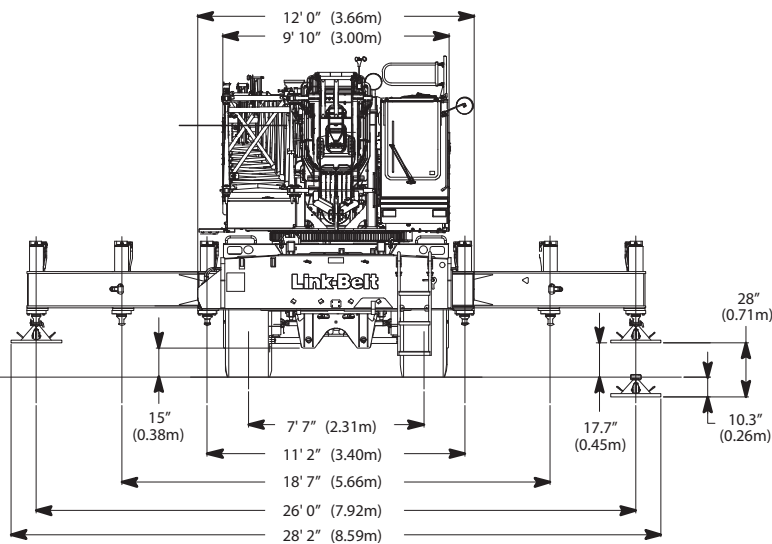
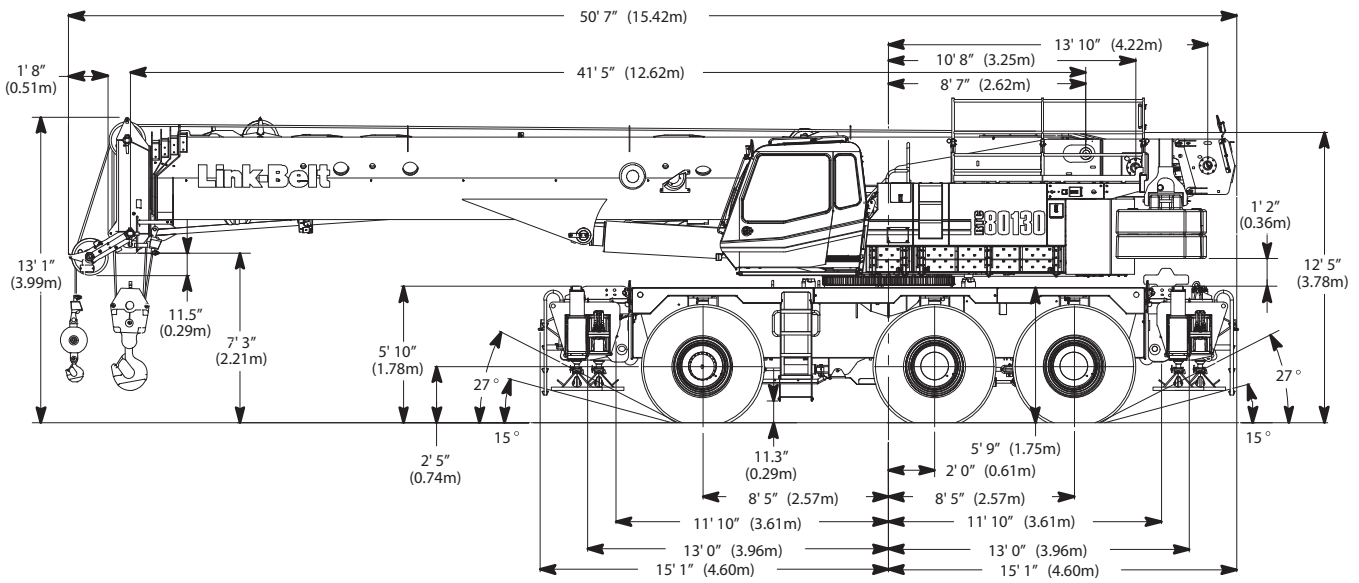
Empty Truck Wt.	Bed Length	Steer	Drivers	Trailer	A
48,500 lb (22 000kg)	25 ft ( 7.62m)	12,500 lb ( 5 670kg)	59,781 lb ( 27 116kg)	70,361 lb ( 31 915kg)	5 in ( 12.7cm)

B - 18 in ( 0.46m) or 24 in ( 0.61m)

	Normal Suspension	Collapsed Suspension
C [with 18 in ( 0.46m) Trailer]	13 ft 11 in ( 4.24m)	13 ft 8 in ( 4.16m)
C [with 24 in ( 0.61m) Trailer]	14 ft 5 in ( 4.39m)	14 ft 2 in ( 4.32m)

\*Wing weights 7,000 lb ( 6 350kg ) each require additional truck.

# General Dimensions



Turning Radius - 2 Wheel Steering	English	Metric
Wall to wall over carrier	44' 10"	13.67m
Wall to wall over boom attachment	56' 1"	17.09m
Curb to curb	41' 5"	12.62m
Centerline of tire	40' 4"	12.29m

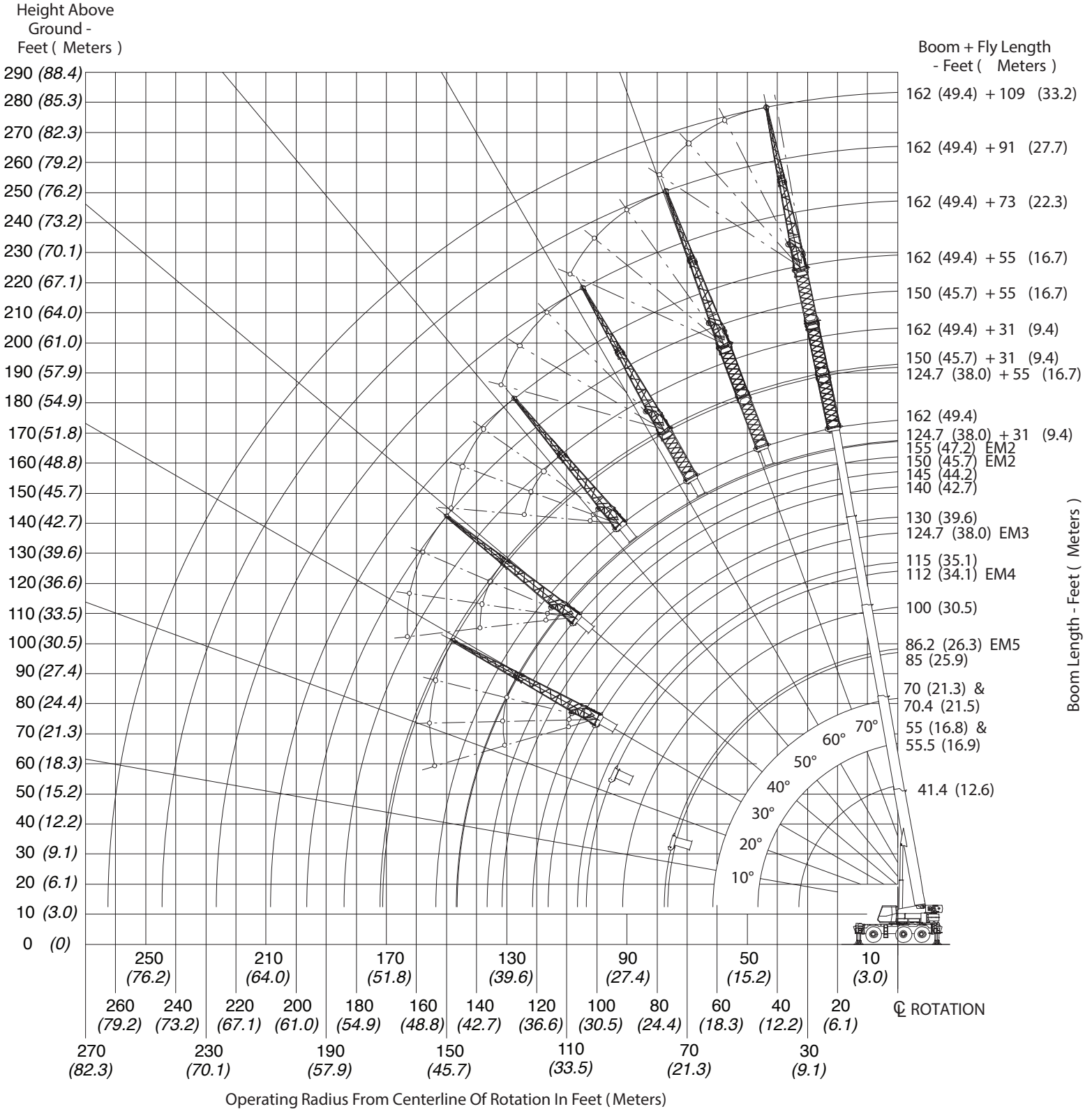
Turning Radius - 6 Wheel Steering	English	Metric
Wall to wall over carrier	25' 5"	7.75m
Wall to wall over boom attachment	38' 10"	11.84m
Curb to curb	21' 10"	6.66m
Centerline of tire	20' 9"	6.32m

Tail Swing	English	Metric
of counterweight (w/o auxiliary winch)	13' 9"	3.90m
of auxiliary winch	15' 1"	4.60m



PORTLAND OFFICE: 503.283.3111  
 SEATTLE OFFICE: 206.784.1054  
[WWW.NESSCAMPBELL.COM](http://WWW.NESSCAMPBELL.COM)

# Working Range Diagram



PORTLAND OFFICE: 503.283.3111  
SEATTLE OFFICE: 206.784.1054  
[WWW.NESSCAMPBELL.COM](http://WWW.NESSCAMPBELL.COM)

# Main Boom Lift Capacity Charts - Imperial

29,000 lb Counterweight - Fully Extended Outriggers - 360° Rotation  
(All Capacities Are Listed In Pounds)

Radius (ft)	Boom Length (ft)										Radius (ft)	
	41.4	55	70	85	100	115	130	145	155	162		
9	*260,000											9
10	240,600	157,000	151,100									10
12	218,000	157,000	150,200									12
15	186,400	157,000	135,800	105,500								15
20	138,400	140,900	116,900	89,800	65,200	56,400						20
25	108,500	111,200	102,400	77,900	65,200	55,500	51,000					25
30	88,100	91,000	90,900	69,100	63,900	49,400	45,400	37,200				30
35		69,900	69,200	65,300	57,100	44,400	40,600	37,200	31,900	26,100		35
40		54,800	56,200	56,100	51,300	40,200	36,500	34,900	31,900	26,100		40
45		44,300	46,000	45,900	44,900	36,700	32,900	32,000	30,000	26,100		45
50			39,200	38,300	37,400	33,600	30,100	29,400	27,500	26,100		50
55			33,600	33,000	32,400	30,900	27,800	37,100	25,300	24,100		55
60			28,900	29,800	28,500	27,200	25,800	25,000	23,400	22,200		60
65				26,000	26,100	24,300	24,000	23,200	21,700	20,700		65
70				22,900	23,000	22,700	22,200	21,600	20,200	19,200		70
75				20,300	20,800	20,500	19,600	19,500	18,700	17,900		75
80					18,500	18,300	17,700	17,400	17,100	16,700		80
85					16,700	16,500	16,300	15,700	15,300	15,100		85
90					15,100	14,900	14,700	14,100	13,700	13,500		90
95						13,400	13,300	12,700	12,300	12,100		95
100						12,100	12,000	11,400	11,000	10,800		100
105						11,000	10,800	10,300	9,900	9,700		105
110							9,800	9,300	8,900	8,700		110
115							8,900	8,300	8,000	7,800		115
120							8,100	7,500	7,200	7,000		120
125								6,700	6,400	6,200		125
130								6,000	5,700	5,500		130
135								5,600	5,100	4,900		135
140									4,500	4,300		140
145									4,000	3,800		145
150										3,300		150

\*\* Special conditions or optional equipment required



PORTLAND OFFICE: 503.283.3111  
SEATTLE OFFICE: 206.784.1054  
[WWW.NESSCAMPBELL.COM](http://WWW.NESSCAMPBELL.COM)



# Main Boom Lift Capacity Charts - Optional

43,000 lb Counterweight - Fully Extended Outriggers - 360° Rotation  
(All Capacities Are Listed In Pounds)

Radius (ft)	Boom Length (ft)										Radius (ft)	
	41.4	55	70	85	100	115	130	145	155	162		
9	**260,000											9
10	240,600	157,000	151,100									10
12	218,000	157,000	150,200									12
15	190,700	157,000	135,800	105,500								15
20	145,500	148,100	116,900	89,800	65,200	56,400						20
25	114,400	117,100	102,400	77,900	65,200	55,500	51,000					25
30	93,200	95,900	90,900	69,100	63,900	49,400	45,400	37,200				30
35		80,600	81,300	65,300	57,100	44,400	40,600	37,200	31,900	26,100		35
40		65,800	67,300	64,900	51,300	40,200	36,500	34,900	31,900	26,100		40
45		53,600	55,200	55,000	46,500	36,700	32,900	32,000	30,000	26,100		45
50			46,400	46,400	42,400	33,600	30,100	29,400	27,500	26,100		50
55			39,500	39,700	38,700	30,900	27,800	27,100	25,300	24,100		55
60			35,100	34,400	33,600	28,600	25,800	25,000	23,400	22,200		60
65				30,100	29,300	26,500	24,000	23,200	21,700	20,700		65
70				26,800	26,400	24,600	22,500	21,600	20,200	19,200		70
75				25,100	23,400	22,900	21,000	20,300	18,700	17,900		75
80					22,000	20,400	19,800	19,000	17,400	16,700		80
85					20,400	18,900	18,600	17,800	16,200	15,600		85
90					18,500	17,800	17,600	16,700	15,100	14,600		90
95						16,800	16,300	15,700	14,100	13,500		95
100							15,500	14,900	14,600	13,100	12,600	100
105							14,200	13,500	13,500	12,300	11,800	105
110								12,300	12,300	11,500	11,000	110
115								11,600	11,200	10,800	10,300	115
120								10,800	10,300	10,000	9,600	120
125									9,400	9,100	8,900	125
130									8,600	8,300	8,100	130
135									7,900	7,500	7,300	135
140										6,900	6,600	140
145										6,200	6,000	145
150											5,500	150

\*\* Special conditions or optional equipment required



PORTLAND OFFICE: 503.283.3111  
SEATTLE OFFICE: 206.784.1054  
[WWW.NESSCAMPBELL.COM](http://WWW.NESSCAMPBELL.COM)

**29,000 lb Counterweight - Fully Extended Outriggers - 360° Rotation**  
 (All Capacities Are Listed In Pounds)

**162 ft Main Boom Length**

Radius (ft)	31 ft Manual Offset Fly				55 ft Manual Offset Fly				Radius (ft)
	2° Offset	15° Offset	30° Offset	45° Offset	2° Offset	15° Offset	30° Offset	45° Offset	
35	14,600								35
40	14,600				10,600				40
45	14,600	14,600			10,600				45
50	14,600	14,600			10,600				50
55	14,600	14,600	14,300		10,600				55
60	14,600	14,600	14,100	13,200	10,600	9,700			60
65	14,600	14,600	14,000	13,100	10,600	9,500			65
70	14,600	14,600	13,800	13,100	10,500	9,400	8,300		70
75	14,600	14,600	13,700	13,000	10,300	9,200	8,200		75
80	14,200	14,400	13,600	12,900	10,200	9,000	8,100		80
85	13,200	13,400	13,500	12,800	10,000	8,900	8,000	7,300	85
90	12,300	12,500	12,800	12,800	9,800	8,700	7,800	7,300	90
95	11,500	11,700	11,900	12,100	9,600	8,600	7,700	7,200	95
100	10,700	10,900	11,100	11,300	9,500	8,500	7,600	7,100	100
105	9,500	10,100	10,400	10,600	9,200	8,300	7,600	7,100	105
110	8,500	9,000	9,500	9,900	8,600	8,200	7,500	7,100	110
115	7,600	8,100	8,500	8,800	8,000	8,100	7,400	7,000	115
120	6,800	7,200	7,600	7,900	7,500	7,800	7,300	7,000	120
125	6,000	6,400	6,800	7,000	6,700	7,300	7,300	7,000	125
130	5,300	5,700	6,000	6,200	6,000	6,700	7,000	6,900	130
135	4,700	5,000	5,300	5,500	5,300	6,000	6,600	6,800	135
140	4,100	4,400	4,700	4,800	4,800	5,300	5,900	6,300	140
145	3,600	3,900	4,100	4,200	4,200	4,800	5,300	5,600	145
150	3,100	3,400	3,600		3,700	4,200	4,700	5,000	150
155	2,600	2,900	3,000		3,200	3,700	4,100	4,400	155
160	2,200	2,400	2,600		2,800	3,200	3,600	3,800	160
165	1,800	2,000	2,100		2,400	2,800	3,100	3,300	165
170	1,500	1,600			2,000	2,400	2,700	2,800	170
175		1,200			1,700	2,000	2,200		175
180					1,300	1,600	1,800		180
185						1,300	1,500		185



PORTLAND OFFICE: 503.283.3111  
 SEATTLE OFFICE: 206.784.1054  
[WWW.NESSCAMPBELL.COM](http://WWW.NESSCAMPBELL.COM)

**43,000 lb Counterweight - Fully Extended Outriggers - 360° Rotation**  
 (All Capacities Are Listed In Pounds)

**162 ft Main Boom Length**

Radius (ft)	31 ft Manual Offset Fly				55 ft Manual Offset Fly				Radius (ft)
	2° Offset	15° Offset	30° Offset	45° Offset	2° Offset	15° Offset	30° Offset	45° Offset	
35	14,600								35
40	14,600				10,600				40
45	14,600	14,600			10,600				45
50	14,600	14,600			10,600				50
55	14,600	14,600	14,300		10,600				55
60	14,600	14,600	14,100	13,200	10,600	9,700			60
65	14,600	14,600	14,000	13,100	10,600	9,500			65
70	14,600	14,600	13,800	13,100	10,500	9,400	8,300		70
75	14,600	14,600	13,700	13,000	10,300	9,200	8,200		75
80	14,200	14,400	13,600	12,900	10,200	9,000	8,100		80
85	13,200	13,400	13,500	12,800	10,000	8,900	8,000	7,300	85
90	12,300	12,500	12,800	12,800	9,800	8,700	7,800	7,300	90
95	11,500	11,700	11,900	12,100	9,600	8,600	7,700	7,200	95
100	10,700	10,900	11,100	11,300	9,500	8,500	7,600	7,100	100
105	10,000	10,200	10,400	10,600	9,200	8,300	7,600	7,100	105
110	9,400	9,600	9,800	9,900	8,600	8,200	7,500	7,100	110
115	8,800	8,900	9,100	9,300	8,000	8,100	7,400	7,000	115
120	8,200	8,400	8,600	8,700	7,500	7,800	7,300	7,000	120
125	7,700	7,800	8,000	8,100	7,000	7,300	7,300	7,000	125
130	7,200	7,300	7,500	7,600	6,600	6,800	7,000	6,900	130
135	6,700	6,900	7,000	7,100	6,100	6,300	6,600	6,800	135
140	6,300	6,400	6,600	6,700	5,700	5,900	6,100	6,300	140
145	5,800	6,000	6,100	6,200	5,300	5,500	5,700	5,900	145
150	5,300	5,500	5,700		5,000	5,200	5,400	5,500	150
155	4,700	5,000	5,100		4,600	4,800	5,000	5,100	155
160	4,200	4,400	4,600		4,300	4,500	4,700	4,800	160
165	3,800	4,000	4,100		4,000	4,200	4,300	4,400	165
170	3,400	3,500	3,600		3,800	3,900	4,000	4,100	170
175	3,000	3,100			3,500	3,600	3,700		175
180	2,600	2,700			3,100	3,400	3,500		180
185					2,800	3,000	3,200		185
190					2,400	2,600	2,800		190
195					2,100	2,300	2,400		195
200					1,800	2,000			200
205					1,600	1,600			205



PORTLAND OFFICE: 503.283.3111  
 SEATTLE OFFICE: 206.784.1054  
[WWW.NESSCAMPBELL.COM](http://WWW.NESSCAMPBELL.COM)

**29,000 lb Counterweight - Fully Extended Outriggers - 360° Rotation**  
 (All Capacities Are Listed In Pounds)

**162 ft Main Boom Length**

Radius (ft)	73 ft Manual Offset Fly				91 ft Manual Offset Fly				109 ft Manual Offset Fly				Radius (ft)
	2° Offset	15° Offset	30° Offset	45° Offset	2° Offset	15° Offset	30° Offset	45° Offset	2° Offset	15° Offset	30° Offset	45° Offset	
55	8,500												55
60	8,500				6,500								60
65	8,500				6,500				5,000				65
70	8,500	8,500			6,500				5,000				70
75	8,500	8,500			6,500	6,500			5,000				75
80	8,500	8,500			6,500	6,500			5,000				80
85	8,500	8,400	7,600		6,500	6,500			5,000	5,000			85
90	8,500	8,300	7,500		6,500	6,500	6,100		5,000	5,000			90
95	8,500	8,200	7,500	6,800	6,500	6,500	5,900		5,000	4,900			95
100	8,500	8,100	7,400	6,600	6,500	6,300	5,600	5,200	5,000	4,600	4,200		100
105	8,500	8,000	7,100	6,400	6,500	6,000	5,400	5,000	4,700	4,400	4,000		105
110	8,000	7,900	6,900	6,300	6,400	5,800	5,200	4,800	4,500	4,100	3,800	3,500	110
115	7,400	7,700	6,700	6,100	6,100	5,500	5,000	4,600	4,200	3,900	3,600	3,400	115
120	6,900	7,100	6,500	6,000	5,800	5,300	4,800	4,500	4,000	3,700	3,400	3,200	120
125	6,400	6,600	6,300	5,800	5,500	5,100	4,600	4,300	3,800	3,500	3,200	3,000	125
130	5,800	6,200	6,200	5,700	5,100	4,900	4,400	4,200	3,600	3,300	3,000	2,900	130
135	5,100	5,700	6,000	5,600	4,700	4,700	4,300	4,000	3,400	3,200	2,900	2,700	135
140	4,500	5,100	5,600	5,500	4,300	4,500	4,100	3,900	3,200	3,000	2,700	2,600	140
145	4,000	4,500	5,100	5,400	3,900	4,200	4,000	3,800	3,100	2,800	2,600	2,400	145
150	3,500	4,000	4,500	4,900	3,400	3,900	3,900	3,700	2,900	2,700	2,500	2,300	150
155	3,000	3,400	4,000	4,300	2,900	3,400	3,700	3,600	2,600	2,600	2,300	2,200	155
160	2,500	3,000	3,500	3,800	2,400	2,900	3,500	3,500	2,300	2,400	2,200	2,100	160
165	2,100	2,500	3,000	3,300	2,000	2,500	3,000	3,300	1,900	2,200	2,100	2,000	165
170	1,800	2,100	2,500	2,800	1,600	2,100	2,500	2,800	1,500	2,000	2,000	1,900	170
175	1,400	1,700	2,100	2,300	1,300	1,700	2,100	2,400		1,600	1,900	1,800	175
180		1,400	1,700	1,900		1,300	1,700	1,900		1,200	1,700	1,700	180
185			1,300	1,500			1,300	1,500			1,300	1,500	185
190												1,200	190



PORTLAND OFFICE: 503.283.3111  
 SEATTLE OFFICE: 206.784.1054  
[WWW.NESSCAMPBELL.COM](http://WWW.NESSCAMPBELL.COM)

**43,000 lb Counterweight - Fully Extended Outriggers - 360° Rotation**  
 (All Capacities Are Listed In Pounds)

**162 ft Main Boom Length**

Radius (ft)	73 ft Manual Offset Fly				91 ft Manual Offset Fly				109 ft Manual Offset Fly				Radius (ft)
	2° Offset	15° Offset	30° Offset	45° Offset	2° Off-set	15° Offset	30° Offset	45° Offset	2° Off-set	15° Offset	30° Offset	45° Offset	
55	8,500												55
60	8,500				6,500								60
65	8,500				6,500				5,000				65
70	8,500	8,500			6,500				5,000				70
75	8,500	8,500			6,500	6,500			5,000				75
80	8,500	8,500			6,500	6,500			5,000				80
85	8,500	8,400	7,600		6,500	6,500			5,000	5,000			85
90	8,500	8,300	7,500		6,500	6,500	6,100		5,000	5,000			90
95	8,500	8,200	7,500	6,800	6,500	6,500	5,900		5,000	4,900			95
100	8,500	8,100	7,400	6,600	6,500	6,300	5,600	5,200	5,000	4,600	4,200		100
105	8,500	8,000	7,100	6,400	6,500	6,000	5,400	5,000	4,700	4,400	4,000		105
110	8,000	7,900	6,900	6,300	6,400	5,800	5,200	4,800	4,500	4,100	3,800	3,500	110
115	7,400	7,700	6,700	6,100	6,100	5,500	5,000	4,600	4,200	3,900	3,600	3,400	115
120	6,900	7,100	6,500	6,000	5,800	5,300	4,800	4,500	4,000	3,700	3,400	3,200	120
125	6,400	6,600	6,300	5,800	5,500	5,100	4,600	4,300	3,800	3,500	3,200	3,000	125
130	6,000	6,200	6,200	5,700	5,100	4,900	4,400	4,200	3,600	3,300	3,000	2,900	130
135	5,500	5,800	6,000	5,600	4,700	4,700	4,300	4,000	3,400	3,200	2,900	2,700	135
140	5,100	5,400	5,600	5,500	4,300	4,500	4,100	3,900	3,200	3,000	2,700	2,600	140
145	4,800	5,000	5,200	5,400	4,000	4,200	4,000	3,800	3,100	2,800	2,600	2,400	145
150	4,400	4,600	4,800	5,000	3,600	3,900	3,900	3,700	2,900	2,700	2,500	2,300	150
155	4,100	4,300	4,500	4,700	3,300	3,500	3,700	3,600	2,600	2,600	2,300	2,200	155
160	3,700	3,900	4,100	4,300	3,000	3,200	3,500	3,500	2,300	2,400	2,200	2,100	160
165	3,400	3,600	3,800	4,000	2,700	2,900	3,200	3,400	2,000	2,200	2,100	2,000	165
170	3,200	3,300	3,500	3,700	2,500	2,700	2,900	3,100	1,800	2,000	2,000	1,900	170
175	2,900	3,000	3,200	3,300	2,200	2,400	2,600	2,800	1,500	1,700	1,900	1,800	175
180	2,600	2,800	2,900	3,000	2,000	2,100	2,300	2,500	1,300	1,500	1,700	1,700	180
185	2,400	2,500	2,700	2,800	1,700	1,900	2,100	2,200		1,200	1,400	1,600	185
190	2,100	2,300	2,400	2,500	1,500	1,700	1,800	1,900			1,200	1,300	190
195	1,800	2,000	2,200		1,300	1,400	1,600	1,700					195
200	1,500	1,700	1,900			1,200	1,400	1,400					200
205	1,200	1,400	1,500					1,200					205
210			1,200										210



PORTLAND OFFICE: 503.283.3111  
 SEATTLE OFFICE: 206.784.1054  
[WWW.NESSCAMPBELL.COM](http://WWW.NESSCAMPBELL.COM)