

TWINLIFT 80,000 LBS

TWINLIFT TWL040

REACH UP:
32.5 FT

REACH OUT:
19 FT

ATTACHMENTS:
FORKS, JIB, WINCH



NOTES:

STANDARD EQUIPMENT

ENGINE:

GM Industrial 4.3L Propane Engine
105HP
U.S. EPA Tier 3
CARB Tier 3
EU Stage III

CONTROL SYSTEM:

CARL (Computer Assisted Remote Lifting) Control System. Monitors Boom Angle, Boom Extension, Counterweight Extension, Pressure, Counterweight Load Pin. Automatic Shutdown for overload conditions. Large easy to read display screen with push button navigation and dial adjustment.

CONTROLS:

Separate controls for each function. Combination of foot pedal, joystick, and push button controls allows for multiple functions to be performed at the same time.

DRIVE:

Brevini drive motors (qty. 3)
(2) in front, (1) in rear steering box.

WHEELS:

Front: qty. (4)
Diameter: 28"
Width: 10"

Rear: qty. (2)
Diameter: 28"
Width: 10"

Replaceable polyurethane composition

STEERING:

90 degree steering of rear wheels.

OSCILLATING REAR STEERING BOX:

Keeps all steering wheels in contact with ground.

GRADABILITY:

Unloaded maximum grade is 17%
Loaded maximum grade is 3.5%

GROUND BEARING PRESSURE:

Loaded Front Tires: 780 psi maximum
Unloaded Rear Tires: 660 psi maximum

TELESCOPING COUNTERWEIGHT:

Standard counterweight section telescopes 5' using (2) hydraulic cylinders. Push button control.

HYDRAULIC RESERVOIR:

100 gallons (378 liters)

BOOM LIFT CYLINDERS:

Twin cylinders capable of lifting and lowering with a full load. Safety holding valves installed on both cylinders. Spherical bearings ensure constant alignment with the boom.

BOOM TELESCOPE CYLINDERS:

Twin cylinders capable of telescoping the boom in and out with a full load. Safety holding valves are installed on both cylinders.

LIFTING EYES:

Qty. (1) centrally located on boom with 40 ton capacity

Qty. (2) located on corners of boom with 20 ton capacity each

WINCH MOUNT:

Standard mount for optional winch

WEIGHT:

36,000 lbs.

Standard "A" counterweight included

COUNTERWEIGHTS:

"A" - non-removable counterweight installed in unit

"B" - qty. (2) - 4,850 lbs each. - 9,700 lbs total

"C" - qty. (1) - 8,500 lbs

TIE DOWN / LIFTING EYES:

Tie down / lifting eyes installed for securing unit during transport and for lifting of the unit.

DRIVER PROTECTION GUARD:

Structural overhead guard for operator protection.

OTHER STANDARD FEATURES:

Back up alarm, horn, strobe light, operator seat complete with safety belt and electric switch.

OPTIONAL EQUIPMENT

RADIO REMOTE CONTROL:

Radio remote control allows full machine functionality from a wireless radio remote. Allows operator optimal view of load. Emergency safety shutdown switch is standard.

HYDRAULIC WINCH:

Consult factory for available capacities

FORKLIFT ATTACHMENT:

Consult factory for available capacities

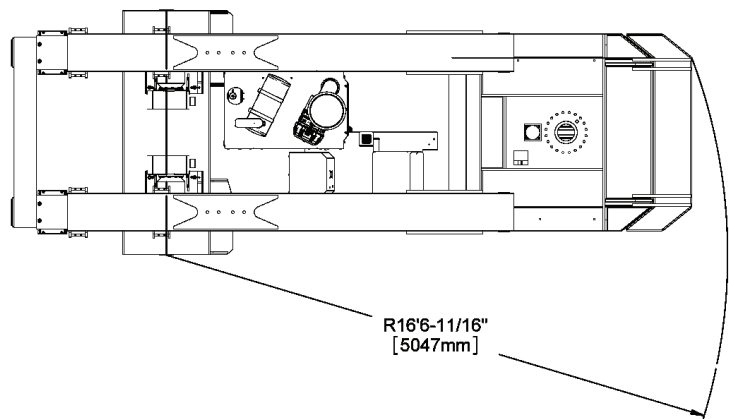
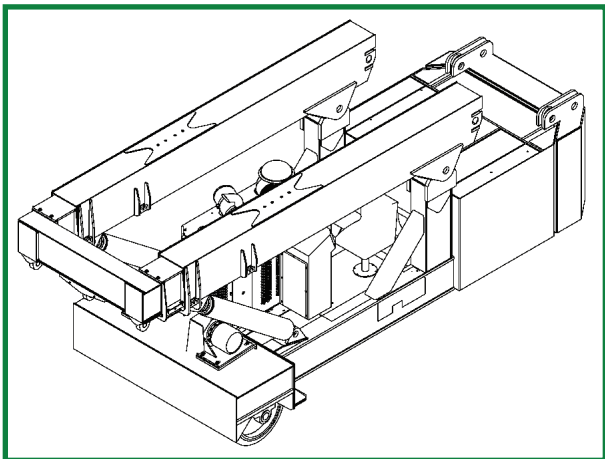
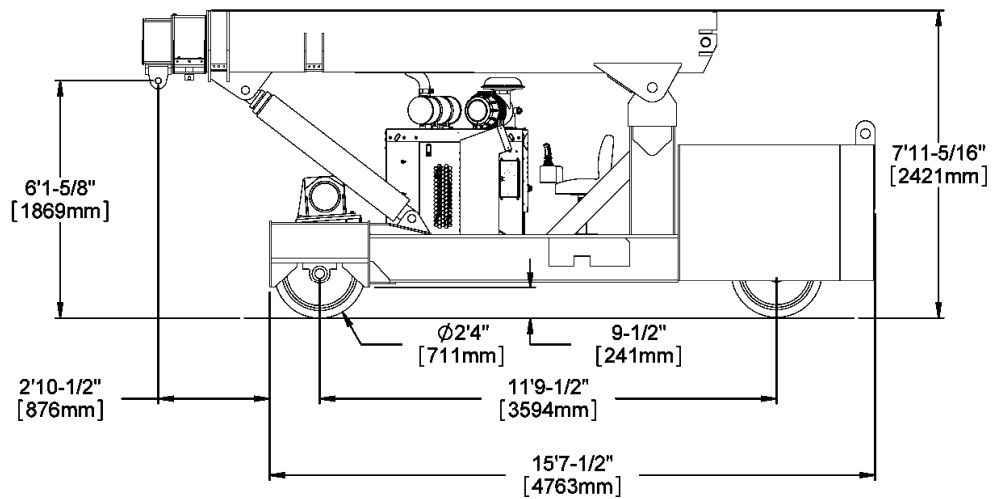
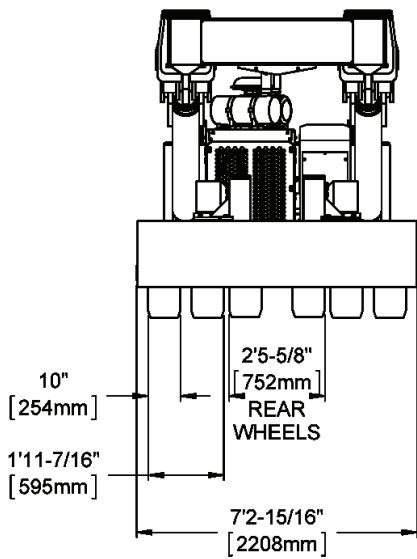
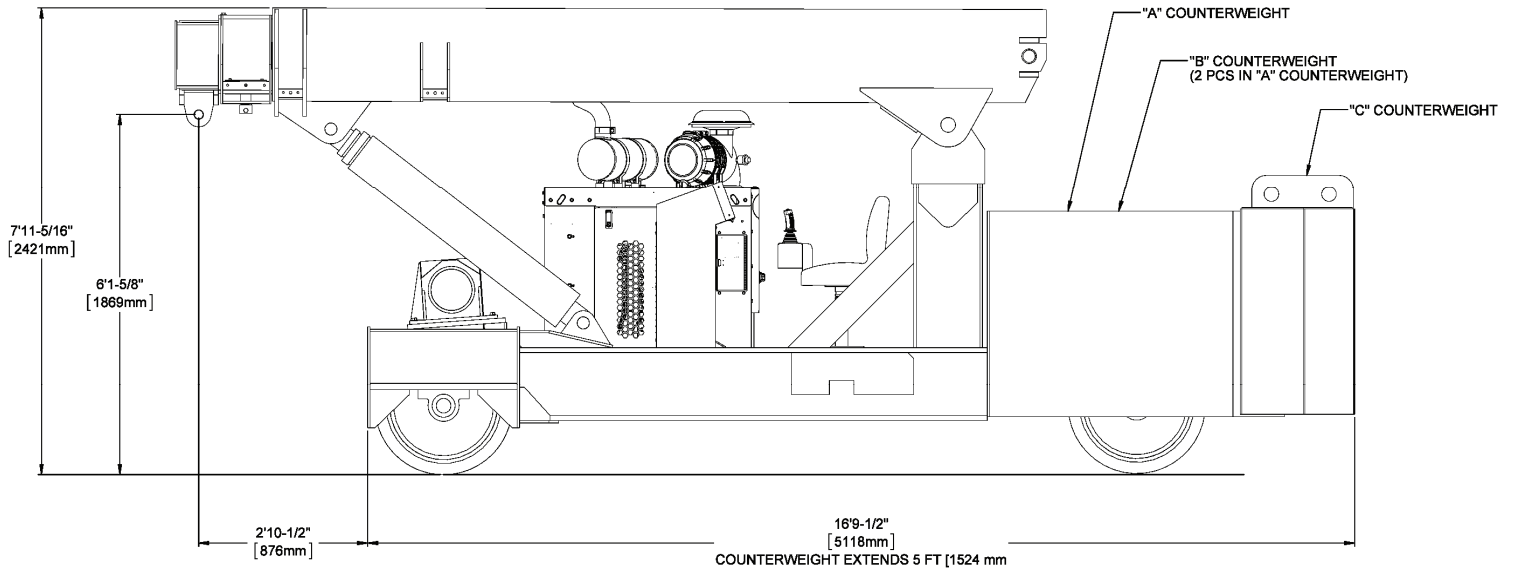
JIB EXTENSION:

Consult factory for available capacities



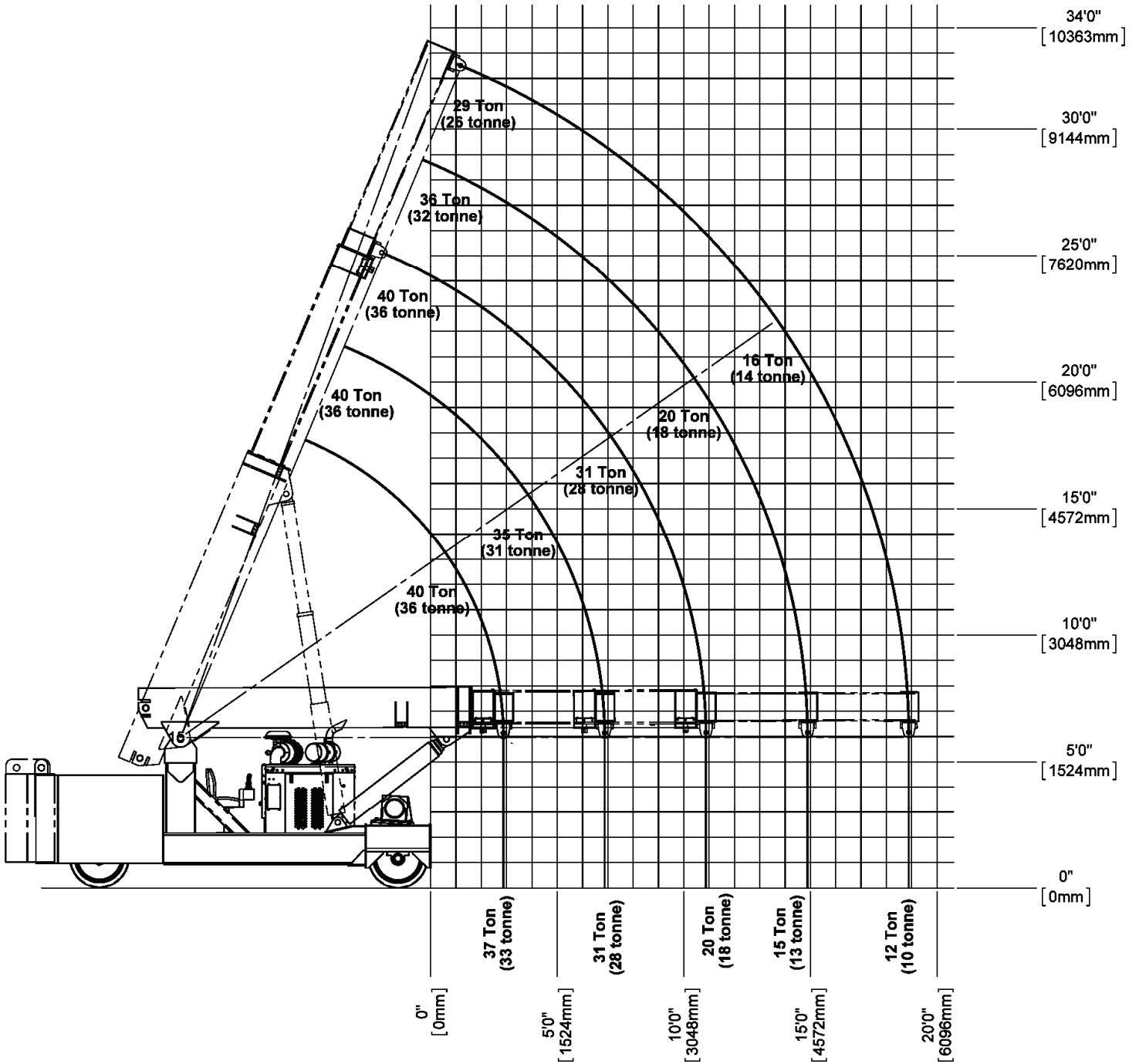
PORTLAND OFFICE: 503.283.3111
SEATTLE OFFICE: 206.784.1054
WWW.NESSCAMPBELL.COM

DIMENSIONAL DATA



PORTLAND OFFICE: 503.283.3111
SEATTLE OFFICE: 206.784.1054
WWW.NESSCAMPBELL.COM

REFERENCE CAPACITY / RANGE DIAGRAM



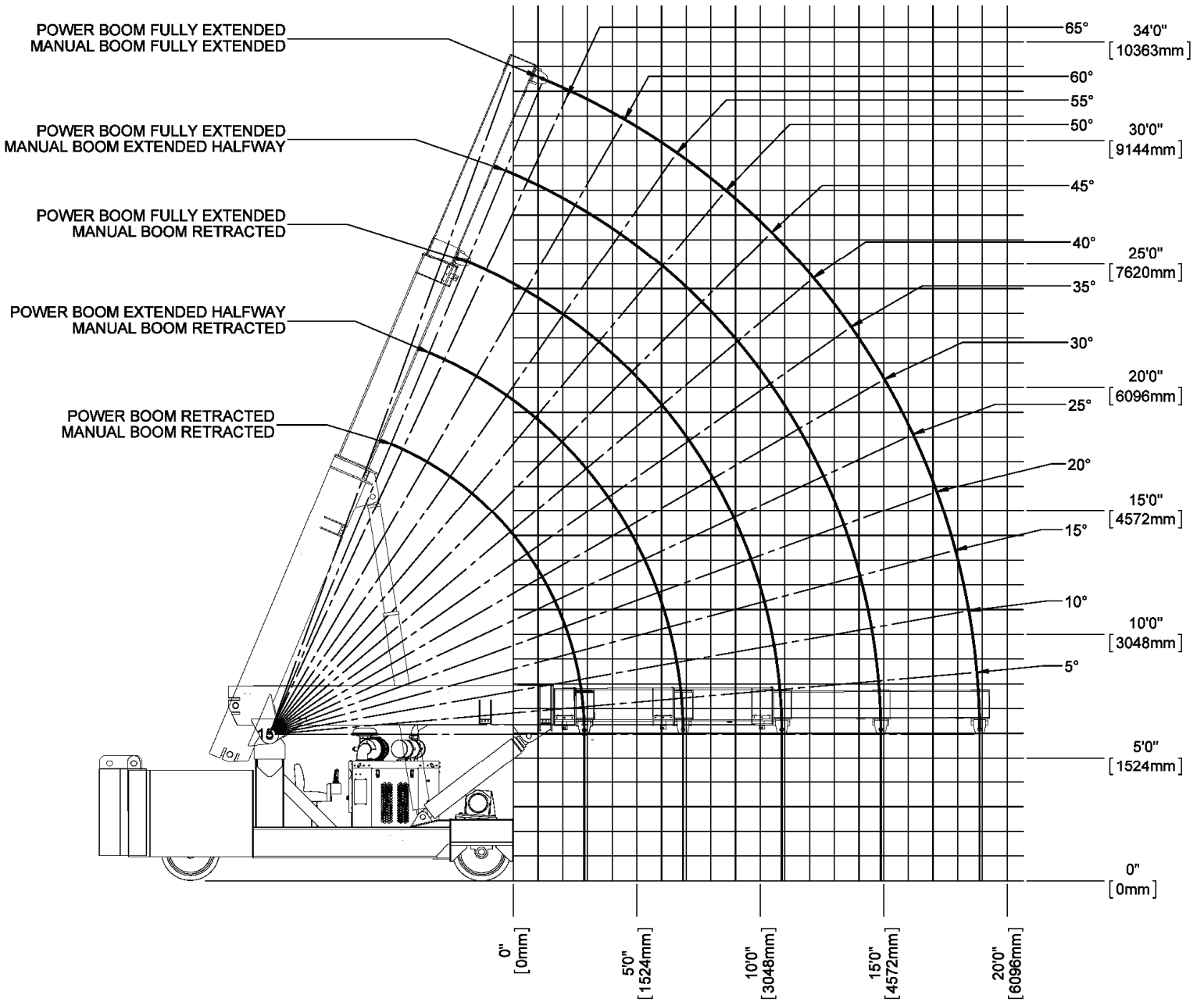
NOTE

1. The above chart is for reference purposes only.
2. Never use the above chart for lift planning calculations
3. Lift plan calculations are to be determined solely by the load charts and range diagrams that are issued for the specific serial numbered machine that is to be used for the specific planned lift.



PORTLAND OFFICE: 503.283.3111
 SEATTLE OFFICE: 206.784.1054
WWW.NESSCAMPBELL.COM

RANGE DIAGRAM



NOTE

1. The above chart is for reference purposes only.
2. Never use the above chart for lift planning calculations
3. Lift plan calculations are to be determined solely by the load charts and range diagrams that are issued for the specific serial numbered machine that is to be used for the specific planned lift.



PORTLAND OFFICE: 503.283.3111
 SEATTLE OFFICE: 206.784.1054
WWW.NESSCAMPBELL.COM

LOAD CHARTS FOR "A" COUNTERWEIGHT

LOAD RADIUS (FEET FROM FRONT)	40 TON LOW PROFILE TWINLIFT LOAD CHART														TLLC116		
	FOR USE WITH LIFTING EYE ONLY STANDARD NON-REMOVABLE "A" COUNTERWEIGHT														7/27/2001		
	FULLY EXTENDED							FULLY RETRACTED									
LOADED BOOM ANGLE	BOOM LENGTH (FEET)						LOADED BOOM ANGLE	BOOM LENGTH (FEET)									
13°	17°	21°	25°	29°	13°	17°	21°	25°	29°	13°	17°	21°	25°	29°			
0	42	80,000	55	80,000	60	80,000	60	80,000	60	80,000	55	80,000	42	80,000	FLY SECTION SEE NOTES		
1	35	80,000	51	80,000	60	80,000	60	80,000	60	80,000	51	80,000	35	80,000	FLY SECTION SEE NOTES		
2	26	78,400	47	78,200	56	78,000	60	78,000	60	78,000	47	78,000	26	78,000	FLY SECTION SEE NOTES		
3	13	63,300	42	62,200	53	61,600	60	62,600	60	62,600	42	62,100	13	48,400	FLY SECTION SEE NOTES		
4			36	49,800	49	49,200	57	50,100	60	50,100	36	37,700	42	47,400	FLY SECTION SEE NOTES		
5			30	41,300	46	40,800	54	41,600	60	42,100	30	31,200	46	30,700	FLY SECTION SEE NOTES		
6			23	35,200	42	34,700	51	35,400	57	35,900	23	26,400	42	25,900	FLY SECTION SEE NOTES		
7			11	30,500	38	30,000	48	30,700	55	31,200	11	22,800	38	22,400	FLY SECTION SEE NOTES		
8					33	26,400	45	27,000	53	27,500			33	19,500	FLY SECTION SEE NOTES		
9					27	23,500	42	24,100	50	24,500			27	17,300	FLY SECTION SEE NOTES		
10	SEE NOTE "E"				21	21,100	38	21,600	47	22,100			21	15,400	FLY SECTION SEE NOTES		
11					10	19,100	34	19,600	45	20,000			10	13,900	FLY SECTION SEE NOTES		
12							30	17,900	42	18,200				30	13,100	FLY SECTION SEE NOTES	
13							25	16,400	39	16,700				25	11,900	FLY SECTION SEE NOTES	
14							19	15,100	35	15,400				19	10,900	FLY SECTION SEE NOTES	
15							10	13,900	32	14,300				10	10,000	FLY SECTION SEE NOTES	
16									28	13,300					28	9,600	FLY SECTION SEE NOTES
17									23	12,400					23	8,900	FLY SECTION SEE NOTES
18									17	11,600					17	8,300	FLY SECTION SEE NOTES
19									9	10,800					9	7,700	FLY SECTION SEE NOTES

LOAD CHARTS FOR "A" AND "B" COUNTERWEIGHT

LOAD RADIUS (FEET FROM FRONT)	40 TON LOW PROFILE TWINLIFT LOAD CHART														TLLC117		
	FOR USE WITH LIFTING EYE ONLY STANDARD NON-REMOVABLE "A" COUNTERWEIGHT WITH "B" COUNTERWEIGHT ADDED														7/27/2001		
	FULLY EXTENDED							FULLY RETRACTED									
LOADED BOOM ANGLE	BOOM LENGTH (FEET)						LOADED BOOM ANGLE	BOOM LENGTH (FEET)									
13°	17°	21°	25°	29°	13°	17°	21°	25°	29°	13°	17°	21°	25°	29°			
0	42	80,000	55	80,000	60	80,000	60	80,000	60	80,000	55	80,000	42	80,000	FLY SECTION SEE NOTES		
1	35	80,000	51	80,000	60	80,000	60	80,000	60	80,000	51	80,000	35	80,000	FLY SECTION SEE NOTES		
2	26	78,100	47	77,800	56	77,700	60	77,700	60	77,700	47	77,700	26	77,700	FLY SECTION SEE NOTES		
3	13	74,100	42	73,800	53	73,700	60	72,300	60	72,300	42	72,300	13	68,900	FLY SECTION SEE NOTES		
4			36	70,200	49	70,100	57	68,300	60	68,300	36	67,800	42	67,200	FLY SECTION SEE NOTES		
5			30	61,800	46	61,300	54	62,100	60	59,000	30	45,100	46	44,600	FLY SECTION SEE NOTES		
6			23	52,900	42	52,400	51	53,100	57	53,600	23	38,500	42	38,000	FLY SECTION SEE NOTES		
7			11	46,100	38	45,600	48	46,300	55	46,800	11	33,400	38	32,900	FLY SECTION SEE NOTES		
8					33	40,300	45	40,900	53	41,400			33	29,000	FLY SECTION SEE NOTES		
9					27	36,000	42	36,600	50	37,100			27	25,800	FLY SECTION SEE NOTES		
10	SEE NOTE "E"				21	32,500	38	33,100	47	33,500			21	23,200	FLY SECTION SEE NOTES		
11					10	29,600	34	30,100	45	30,500			10	21,000	FLY SECTION SEE NOTES		
12							30	27,600	42	28,000				30	19,700	FLY SECTION SEE NOTES	
13							25	25,400	39	25,800				25	18,100	FLY SECTION SEE NOTES	
14							19	23,500	35	23,900				19	16,700	FLY SECTION SEE NOTES	
15							10	21,900	32	22,200				10	15,400	FLY SECTION SEE NOTES	
16									28	20,800					28	14,700	FLY SECTION SEE NOTES
17									23	19,400					23	13,700	FLY SECTION SEE NOTES
18									17	18,300					17	12,800	FLY SECTION SEE NOTES
19									9	17,200					9	12,000	FLY SECTION SEE NOTES

NOTE: Specifications are provided in imperial dimensions. All equipment dimensions, designs, specifications, calculations, etc., as described, are subject to change at manufacturer's discretion at any time and without notice. Weights are approximate and may vary. Data herein is for informational purposes only and will not be construed to guarantee suitability of equipment for any particular as performance may vary with conditions encountered. Warranty will apply as written in standard contract form upon purchase of equipment. Capacities are for reference only and must not be used for any serial numbered machine. Serial numbered load charts may be obtained from Lift Systems, Inc.



PORTLAND OFFICE: 503.283.3111
SEATTLE OFFICE: 206.784.1054
WWW.NESSCAMPBELL.COM

LOAD CHARTS FOR "A", "B", AND "C" COUNTERWEIGHT

LOAD RADIUS (FEET FROM FRONT)	40 TON LOW PROFILE TWINLIFT LOAD CHART																		TLLC118	
	FOR USE WITH LIFTING EYE ONLY STANDARD NON-REMOVABLE "A" COUNTERWEIGHT WITH "B", "C" COUNTERWEIGHT ADDED																		7/27/2001	
	FULLY EXTENDED									FULLY RETRACTED										
LOADED BOOM ANGLE	BOOM LENGTH (FEET)									LOADED BOOM ANGLE	BOOM LENGTH (FEET)									
△	13	17	21	25	29	△	13	17	21	25	29	△	13	17	21	25	29	△		
0	42	80,000	55	80,000	60	80,000	42	80,000	55	80,000	60	80,000	42	80,000	55	80,000	60	80,000		
1	35	80,000	51	80,000	60	80,000	35	80,000	51	80,000	60	80,000	35	80,000	51	80,000	60	80,000		
2	26	79,400	47	79,100	56	79,000	26	75,900	47	75,600	56	75,400	26	75,900	47	75,600	56	75,400		
3	13	75,300	42	75,100	53	74,900	13	70,800	42	70,500	53	70,200	13	70,800	42	70,500	53	70,200		
4			36	71,400	49	71,200	36	66,000	49	65,700	57	66,100	36	66,000	49	65,700	57	66,100		
5			30	68,000	46	67,900	30	61,500	46	61,000	54	61,700	30	61,500	46	61,000	54	61,700		
6			23	65,000	42	64,800	23	52,600	42	52,100	51	52,800	23	52,600	42	52,100	51	52,800		
7			11	62,200	38	62,000	11	45,800	38	45,300	48	46,000	11	45,800	38	45,300	48	46,000		
8				33	55,300	45	55,900		33	40,100	45	40,700		33	40,100	45	40,700			
9				27	49,500	42	50,100		27	35,800	42	36,400		27	35,800	42	36,400			
10	SEE NOTE "E"			21	44,800	38	45,400		21	32,300	38	32,900		21	32,300	38	32,900			
11				10	40,900	34	41,400		10	29,400	34	29,900		10	29,400	34	29,900			
12				30	38,000	42	38,400				30	27,400				30	27,400			
13				25	35,100	39	35,500				25	25,200				25	25,200			
14				19	32,600	35	33,000				19	23,400				19	23,400			
15				10	30,400	32	30,800				10	21,700				10	21,700			
16						28	28,800													
17						23	27,000													
18						17	25,500													
19						9	24,100													

NOTE:
Specifications are provided in imperial dimensions. All equipment dimensions, designs, specifications, calculations, etc., as described, are subject to change at manufacturer's discretion at any time and without notice. Weights are approximate and may vary. Data herein is for informational purposes only and will not be construed to guarantee suitability of equipment for any particular as performance may vary with conditions encountered. Warranty will apply as written in standard contract form upon purchase of equipment. Capacities are for reference only and must not be used for any serial numbered machine. Serial numbered load charts may be obtained from Lift Systems, Inc.



PORTLAND OFFICE: 503.283.3111
SEATTLE OFFICE: 206.784.1054
WWW.NESSCAMPBELL.COM